

Your Premiere Source For Quality Valve Products

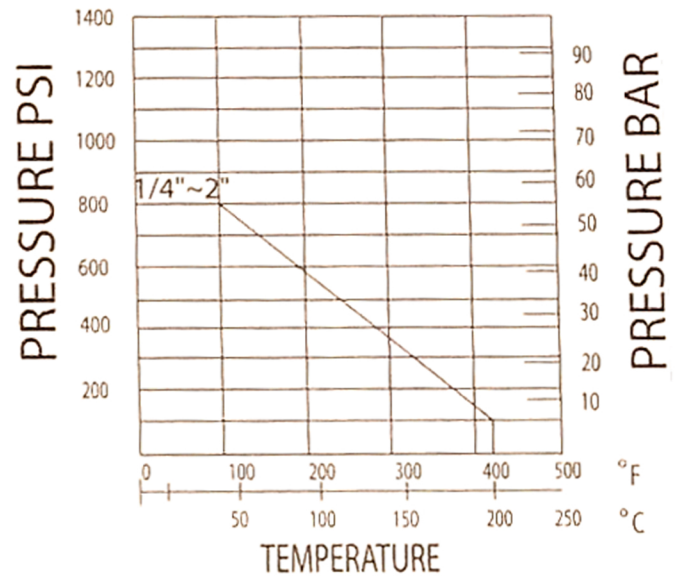
## Series #Y800-SS Y-Strainer, 316, NPT



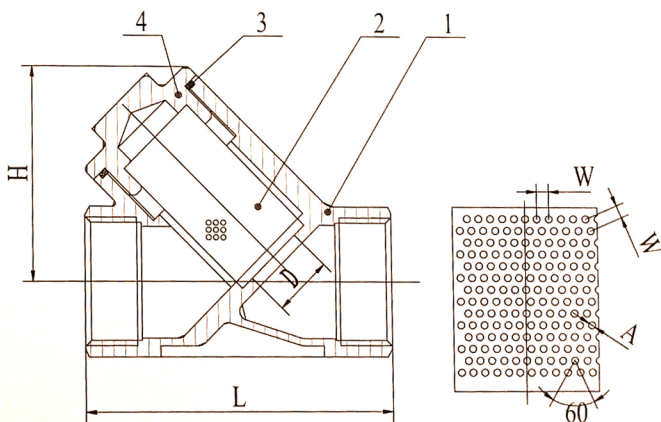
### Features & Benefits

- Investment Castings For Body
- Pressure Rating: 800PSI (PN40)
- Threaded Ends: ANSI B2.1, BS 21, DIN 259/2999
- Material: CF8M, CF8, CF3M, WCB
- Pressure Test: API 598

### Pressure & Temperature Chart



### Schematic Diagram



ITEM	PARTS	MATERIAL
1	Body	CF8M
2	Screen	SS316
3	Joint Gasket	PTFE
4	Bonnet	CF8M

Size	d	L	H	W	ØA	KGS
1/4"	10	50	51	2	1	0.2
3/8"	12	50	51	2	1	0.17
1/2"	15	58	51	2	1	0.2
3/4"	20	65	60	2	1	0.33
1"	25	80	72	2	1	0.58
1-1/4"	32	92	77	2	1	0.75
1-1/2"	40	105	87	2	1	1.05
2"	50	125	102	2	1	1.57