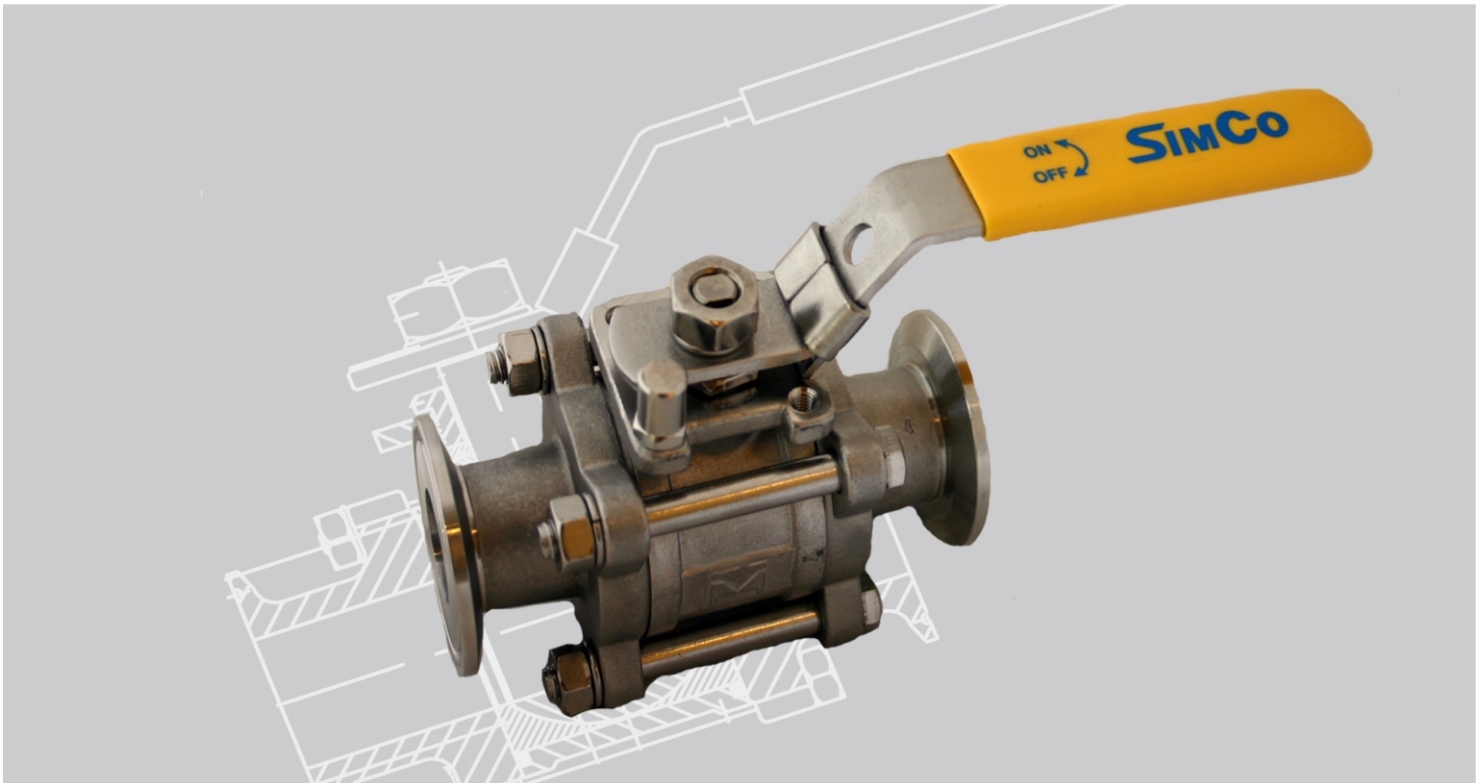


# SERIES #69 | 3 PC Tube Port Sanitary Ball Valve



## Standard Features and Benefits

### Tube Full Port Design

True tube full port construction improves flow characteristics and helps eliminate build up of process media.

### 3- Piece Design

Swing out construction makes the valve easy to repair in line

### Blow-out Proof Stem

Stem is bottom loaded to prevent removal when valve is in service.

### Locking Handle

Enables plant personnel to secure valve in open or closed position when manually operated.

### ISO 5211 Mounting Pad

### Investment Cast

### 240 Grit Standard: Internal Polish

High polish standard finish to meet a wide range of applications

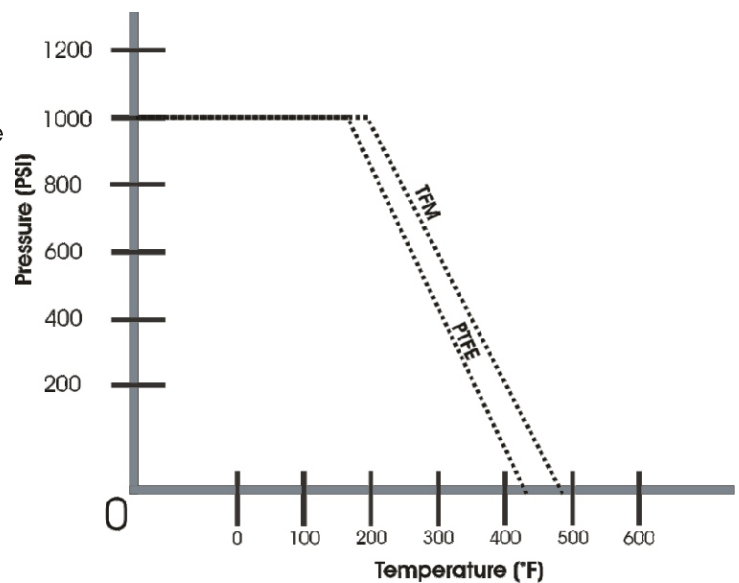
### TFM Standard Seating Material

Allows valve to cover a wide range of media/temperature applications.

## Operating / Test Conditions

- Temperature Range (TFM) -20 F to 500 F
- Maximum working pressure: 1000 W.O.G.
- Valves inspected and tested to API598
- All materials comply with applicable ASTM material specifications
- USDA, and FDA material requirements

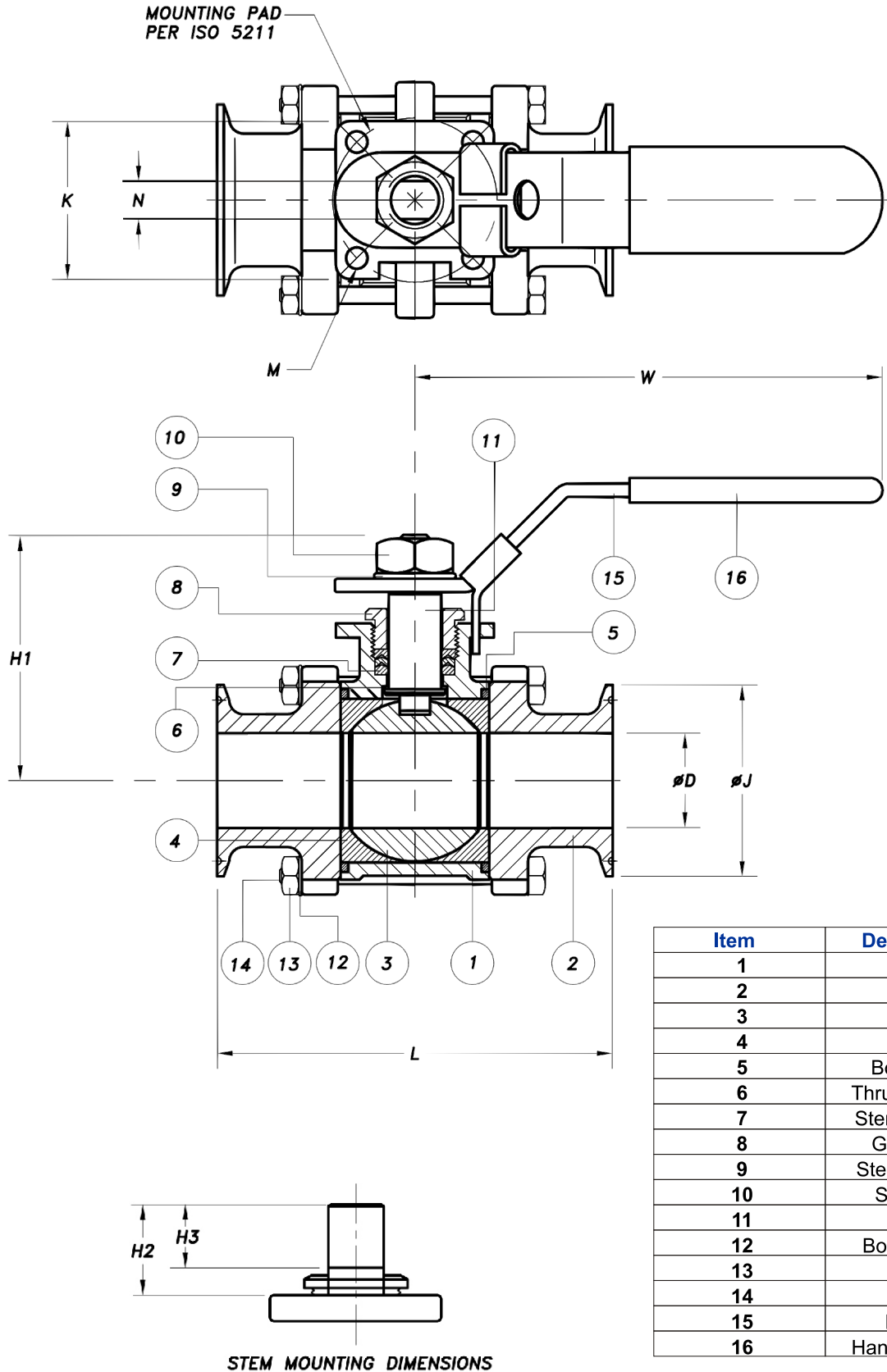
## Pressure & Temperature Chart



## Options

- Clamp end, tube butt weld, extended butt weld ends
- Polish and electric polish to custom specifications
- Cavity filled seats

# SERIES #69 | 3 PC Tube Port Sanitary Ball Valve



# SERIES #69 | 3 PC Tube Port Sanitary Ball Valve

## DIMENSIONS

SIZE	L	W	H	H1	H2	H3	∅d	J	K	N	M	ISO 5211 B.O.	Wgt (lbs)
1/2"	3.57	5.56	2.50	1.91	.71	.51	.38	1.00	1.46	.26	M5	F03/1.42	1.66
3/4"	4.06	5.56	2.62	2.04	.74	.51	.62	1.00	1.46	.26	M5	F03/1.42	2.12
1"	4.53	5.56	2.73	2.15	.71	.51	.87	1.99	1.65	.26	M5	F04/1.65	2.98
1-1/2"	5.51	7.41	3.96	3.25	1.18	.77	1.37	1.99	1.97	.33	M6	F05/1.97	5.91
2"	6.22	7.41	4.35	3.60	1.14	.77	1.88	2.52	1.97	.33	M6	F05/1.97	9.16
2-1/2"	7.76	10.24	5.48	4.61	1.48	1.02	2.37	3.05	2.83	.47	M8	F07/2.76	19.17
3"	8.98	10.24	5.83	4.99	1.50	1.02	2.87	3.58	2.83	.47	M8	F07/2.76	31.30
4"	9.52	11.61	6.89	6.38	2.05	1.38	3.84	4.69	3.70	.63	M12	F10/4.03	45.18

## How to Order

Valve Size	Valve Series	Body	Ball & Stem	Seat	Seals	Ends	Options
1/2" Thru 4"	69 = 3pc Tube Port	6= 316	6 = 316	M-TFM	T-PTFE	CE-Clamp BE-Butt Weld (Tube) EBE- Extended Buttweld (Tube)	3 = 320 Grit EP Electric Polish