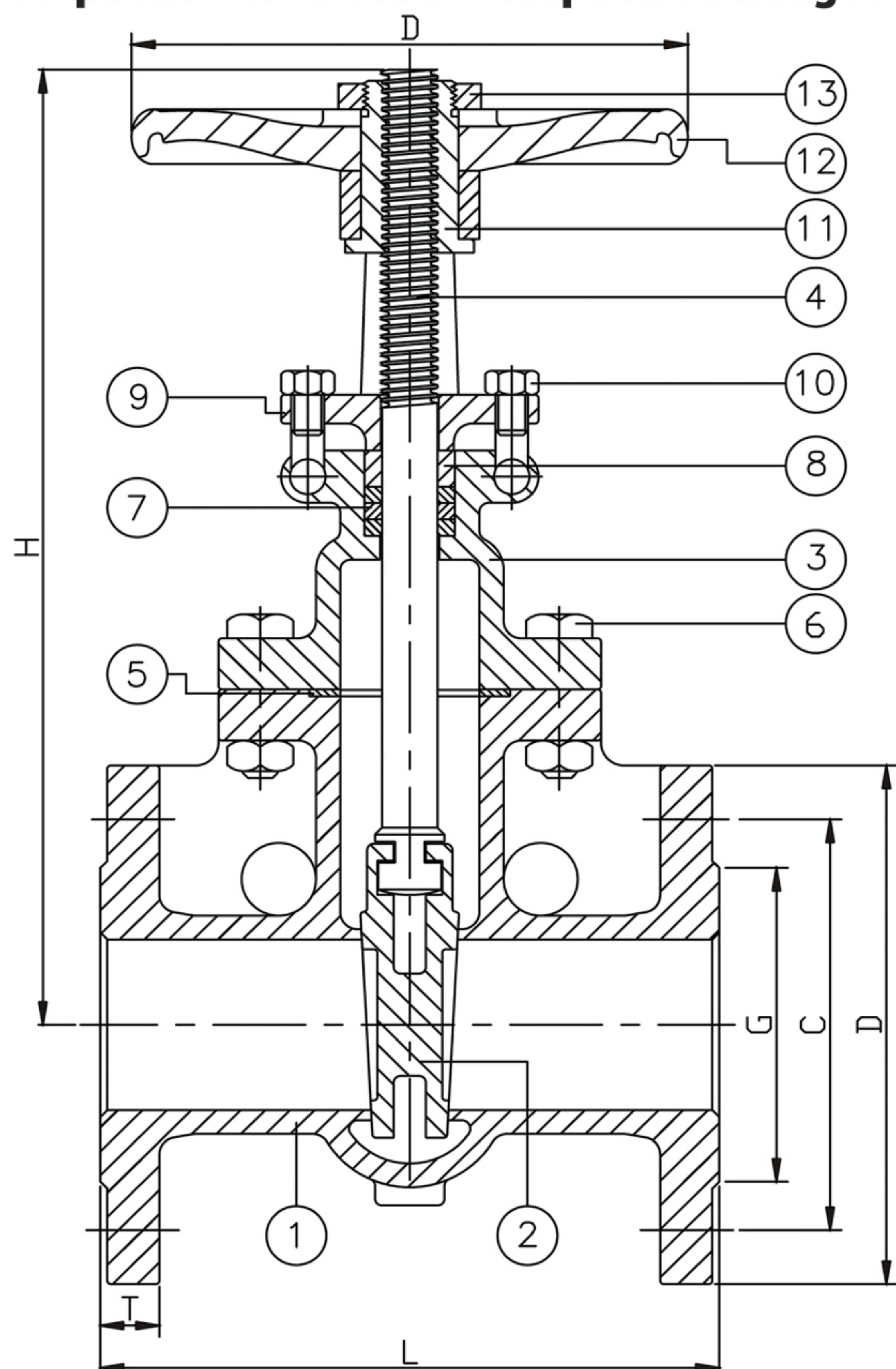


SERIES #36116 > 150# 316 Flanged Gate Valve



Figure # 36116 = 150#, 316, Flanged Gate Valve
Product Description

Outside Screw and Yoke - Bolted Bonnet - Flexible Wedge Fully Guided - Integral Seats - Rising Stem and Non-Rising Handwheel - Flanged Ends Conform to ASME B16.5 - Face to Face: ANSI B16.10 - Wall Thickness: ANSI B16.34 - Test and Inspection to API 598 - Graphoil Packing for Long Valve Life and High Temperature Applications.



ITEM	PARTS	MATERIAL	
1	BODY	ASTM A315-CF8	ASTM A351-CF8M
2	DISC	SUS304	SUS316
3	BONNET	ASTM A315-CF8	ASTM A351-CF8M
4	STEM	SUS304	SUS316
5	GASKET	PTFE(OR NO ASBESTOS)	
6	BONNET BOLT/NUT	ASTM 194-B8	
7	GLAND PACKING	PTFE	
8	GLAND	SUS304	SUS316
9	GLAND FLANGE	SUS304	SUS316
10	GLAND BOLT/NUT	ASTM 194-B8	
11	YOKE SLEEVE	BRONZE(OR DUCTILENT-RESIST	
12	HAND WHEEL	FCD	
13	STEM NUT	SUS304	SUS316

NPS	L	H	C	D	G	T	Weight lb
1/2"	4.25	7.2	2.38	3.5	1.38	0.44	-
3/4"	4.61	7.48	2.76	3.86	1.69	0.44	7.72
1"	5	8.27	3.13	4.25	2.01	0.44	12.13
1-1/2"	6.5	10.63	3.88	5	2.87	0.56	16.98
2"	7.01	12.6	4.74	5.98	3.62	0.63	24.25
2-1/2"	7.48	14.76	5.49	7.01	4.13	0.69	34.17
3"	7.99	17.52	6	7.48	5	0.75	46.74
4"	9.02	20.59	7.5	9.02	6.18	0.94	73.41
5"	10	23.86	8.5	10	7.32	0.94	105.82
6"	10.51	27.95	9.51	10.98	8.5	1	126.1
8"	11.5	35.83	11.75	13.5	10.63	1.13	205.03
10"	12.99	43.98	14.25	15.98	12.76	1.19	286.6
12"	14.02	52.13	17.01	19.02	15	1.25	-

151 Memorial Drive, Suite A
 Shrewsbury MA 01545
 Toll Free: 1-866-59SIMCO (866-597-4626)
 Phone: 508-845-3300
 Fax: 508-845-3304
 info@simcovalve.com
 www.simcovalve.com

