

*Your Premiere Source For Quality Valve Products*

## Series #10 Ball Valve - 1 Piece Reduced Port



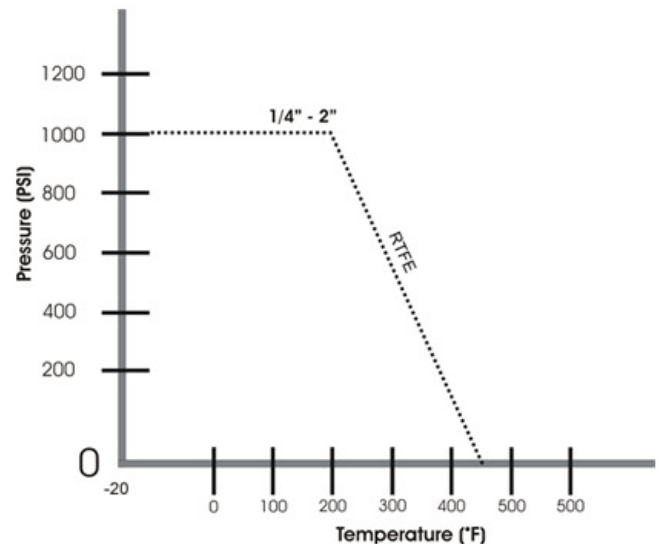
### Features & Benefits

- **Economical 1-Piece Design**
- **Blow-out Proof Stem**  
Stem is bottom loaded to prevent removal when valve is in service.
- **Locking Handle**  
Enables plant personnel to secure valve in open or closed position when manually operated.
- **Corrosion Resistant**
  - Made of 316 Stainless Steel (A351 GR.CF8M) For superior chemical resistance and longer service life.
- **Investment Cast**  
Improves dimensional control and reduces porosity.

### Operating/Test Conditions

- **Temperature Range (RTFE) -20°F to 450°F**
- **Maximum working pressure: 1000 W.O.G**
- **Threaded ENDS conform to ASME B1.20.1**
- **Applicable standards: Test and Inspection API 598**

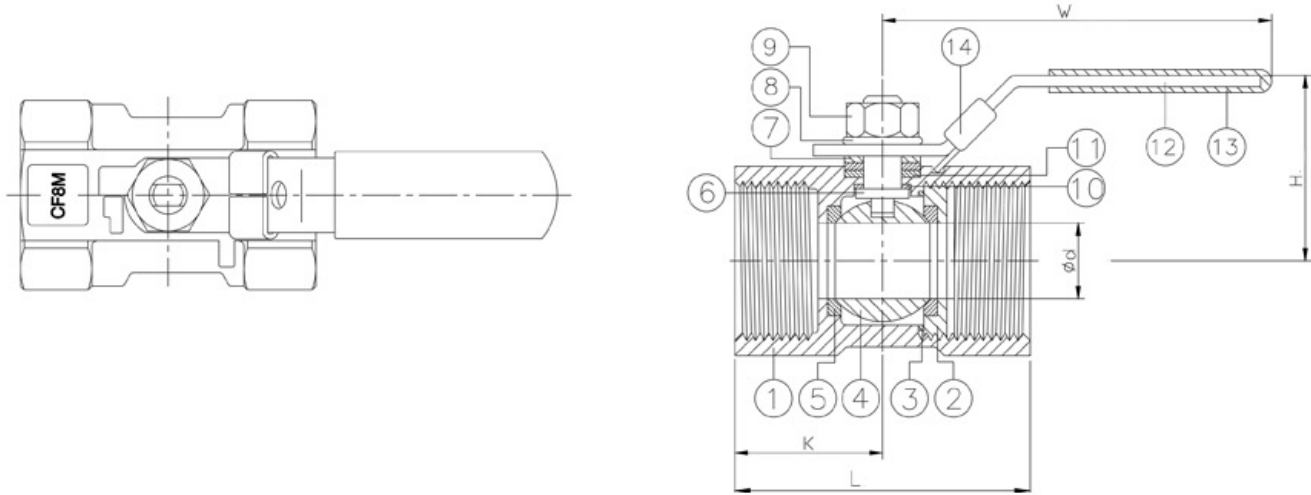
### Pressure & Temperature Chart



### Options

- **Oval Handles**
- **Carbon Steel Construction**

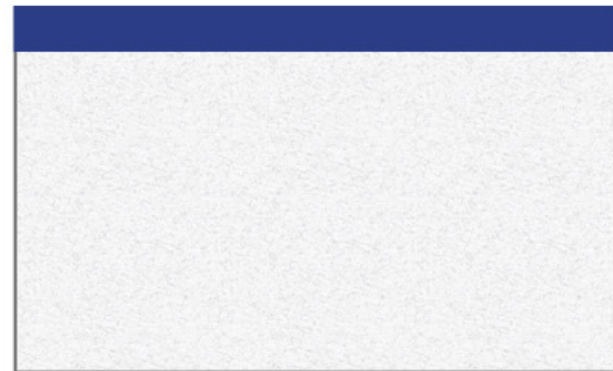
**Schematic Diagram**



**Materials & Measurements**

	d	L	H	W	K	AW	
1/4"	0.20	1.54	1.38	2.68	0.79	0.15	
3/8"	0.28	1.73	1.65	2.91	0.91	0.24	
1/2"	0.35	2.22	1.65	3.78	1.14	0.37	
3/4"	0.49	2.32	1.73	3.86	1.14	0.55	
1"	0.59	2.80	2.24	4.53	1.38	0.95	
1-1/4"	0.79	3.07	2.44	4.53	1.50	1.53	
1-1/2"	0.98	3.27	2.44	6.42	1.59	1.89	
2"	1.26	3.94	2.68	6.42	1.93	3.34	

ITEM	PARTS	MATERIAL
1	Body	ASTM A351-CF8M / ASTM A216 - WCB
2	Retainer	ASTM A351-CF8M / ASTM A216 - WCB
3	Gasket	PTFE
4	Ball	ASTM A351-CF8M
5	Seat	RTFE
6	Stem	ASTM A351-CF8M
7	Gland Ring	AISI 304
8	Spring Washer	
9	Nut	
10	Thrust Washer	PTFE
11	Packing	PTFE
12	Handle	AISI 304
13	Handle Sleeve	PVC
14	Lock Device	AISI 304



**HOW TO ORDER**

VALVE SIZE	VALVE SERIES	BODY	BALL & STEM	SEAT	ENDS	OPTIONS
1/4" - 2"	10= 1PC RED Port	6=316	6=316ss	R=RTFE	TE=NPT	OH=Oval Handle